

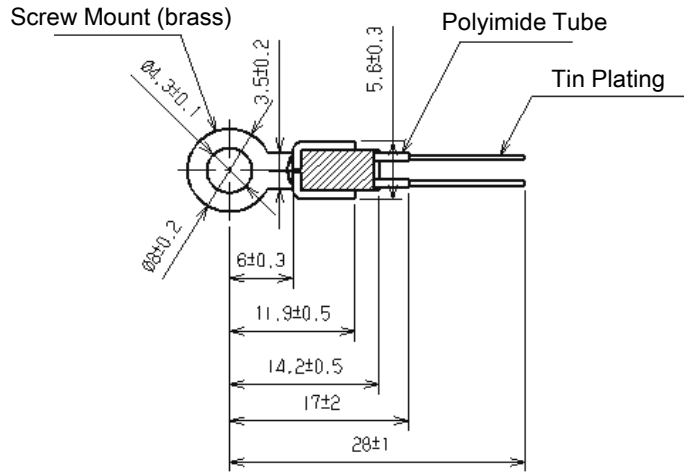
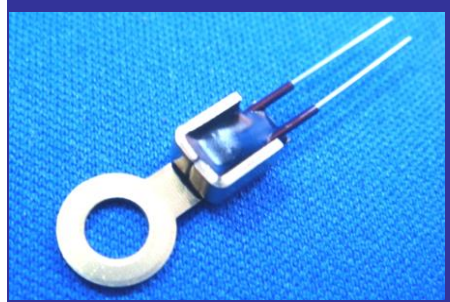
Controller Unit

⑦ Screw Mount Sensor

Zero Power Resistance: $R_{75} = 7.214k\Omega \pm 5\%$
 B value : $B_{0/100} = 3970K \pm 2\%$
 Temperature range : $-40^{\circ}C - 130^{\circ}C$

- ◆ Thermal Time Constant: approx. 75 sec.
- ◆ Dielectric Strength Voltage: AC 600V 1 sec.
- ◆ Insulation Resistance: DC 500V 100M Ω +

Features: A screw mount type temperature sensor with very good heat conductivity that allows the sensing of high temperatures.



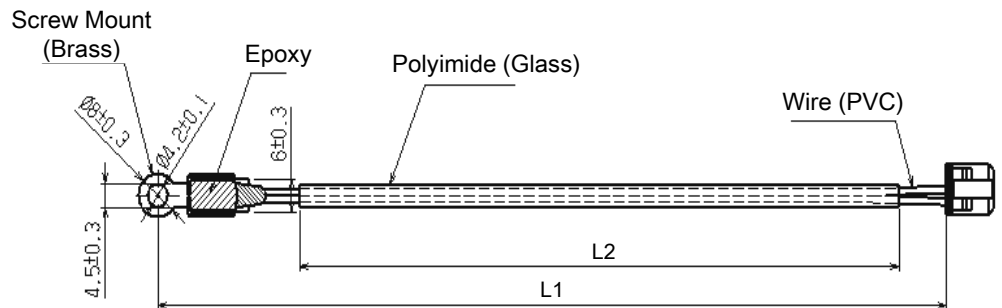
Unit: mm

⑧ Screw Mount Sensor

Zero Power Resistance: $R_{25} = 10.0k\Omega \pm 0.5\%$
 B value : $B_{25/85} = 3435K \pm 0.5\%$
 Temperature range : $-40^{\circ}C - 125^{\circ}C$

- ◆ Thermal Time Constant: approx. 80 sec.
- ◆ Dielectric Strength Voltage: AC 1800V 1 sec.
- ◆ Insulation Resistance: DC 500V 100M Ω +

Features: A screw mount type temperature sensor with very good heat conductivity that allows highly accurate sensing of high temperatures.



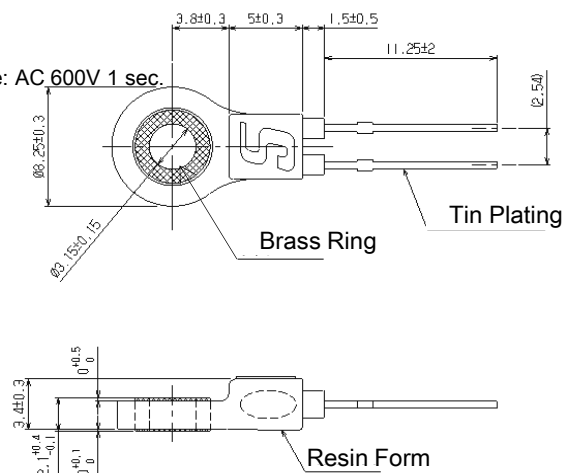
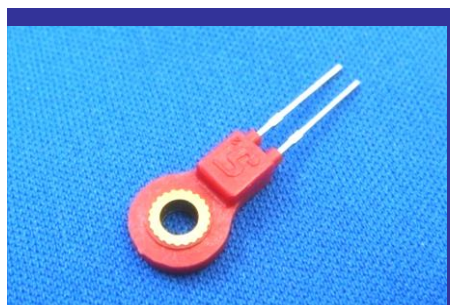
Unit: mm

⑨ Screw Mount Sensor

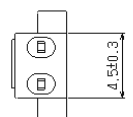
Zero Power Resistance : $R_{25} = 2k\Omega \pm 1\%$
 B value : $B_{25/85} = 3182K \pm 1\%$
 Temperature range : $-40^{\circ}C - 90^{\circ}C$

- ◆ Thermal Time Constant: 80 sec. max.
- ◆ Dielectric Strength Voltage: AC 600V 1 sec.
- ◆ Insulation Resistance: DC 500V 100M Ω +

Features: A temperature sensor that resists screw tension and can therefore be used for a long time.



Unit: mm



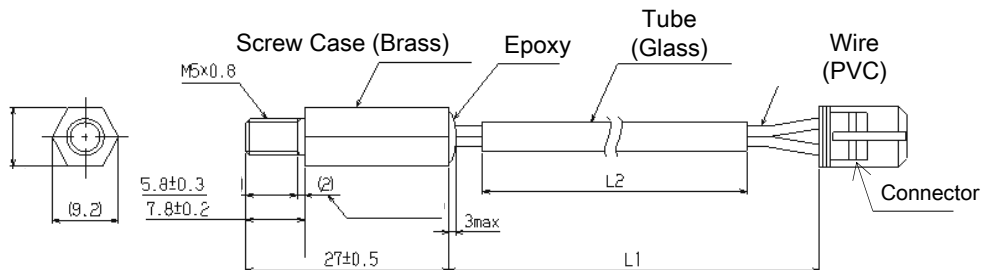
Motor

⑩ Screw Type Pipe Sensor

Zero Power Resistance: $R_{25} = 10.0k\Omega \pm 0.5\%$ ※1
 B value : $B_{25/85} = 3435K \pm 0.5\%$
 Temperature range : $-40^{\circ}C - 150^{\circ}C$

Unit: mm

- ◆ Thermal Time Constant: approx. 298 sec.
- ◆ Dielectric Strength Voltage: AC 600V 1 sec.
- ◆ Insulation Resistance: DC 500V 100M Ω +



※1: without connector

⑪ Teflon Tube Sensor

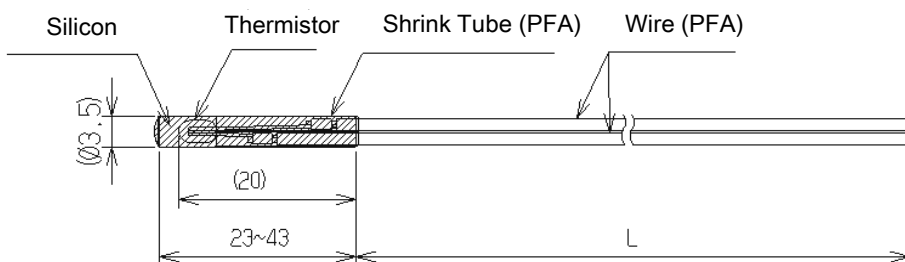
Zero Power Resistance : $R_{100} = 1.0k\Omega \pm 5\%$
 B value : $B_{0/100} = 3387K \pm 2\%$
 Temperature range : $-40^{\circ}C - 250^{\circ}C$

Unit: mm

- ◆ Thermal Time Constant: 7 sec.
- ◆ Dielectric Strength Voltage: AC 1200V 1 sec.
- ◆ Insulation Resistance: DC 500V 100M Ω +



Features: A temperature sensor with a thin tip and excellent responsiveness.



Battery / Capacitor

⑫ Slim Case Sensor

Zero Power Resistance: $R_{25} = 10.0k\Omega \pm 1\%$
 B value : $B_{25/85} = 3435K \pm 1\%$
 Temperature range : $-20^{\circ}C - 80^{\circ}C$

Unit: mm

- ◆ Thermal Time Constant: approx. 25 sec.
- ◆ Dielectric Strength Voltage: AC 2160V 1 sec.
- ◆ Insulation Resistance: DC 500V 100M Ω +



Features: A slim case sensor with high electric strength voltage that fits easily into narrow spaces.

