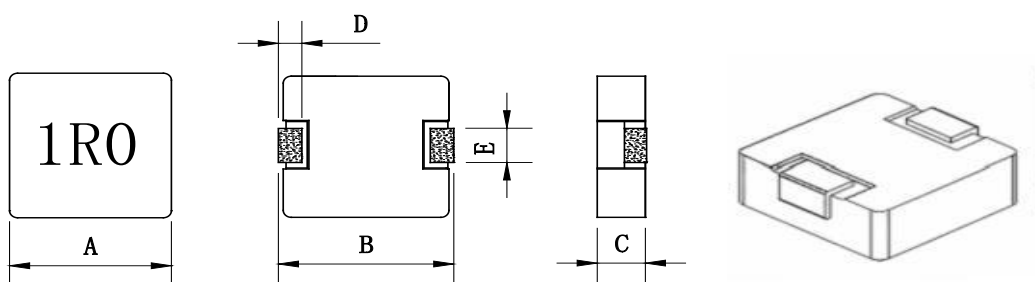


SMD POWER INDUCTORS:

HSC1040/45 Series



Series	A (mm)	B (mm)	C (mm)	D (mm)	E (mm)
HSC1040/45	10.3 ± 0.2	10.5 ± 1.0	4.0MAX/4.5MAX	2.0 ± 0.5	3.0 ± 0.3

Part Number	L0 Inductance (μH) ±20%	Heat Rating Current Irms (A)	Saturation Current Isat (A)	DCR (mΩ)	
				TYP.	MAX.
HSC1040-R22M-G/B	0.22	35.0	60.0	1	1.5
HSC1040-R36M-G/B	0.36	30.0	60.0	1.4	1.7
HSC1040-R47M-G/B	0.47	20	40.0	1.7	2.2
HSC1040-R56M-G/B	0.56	19	38.0	2	2.4
HSC1040-R68M-G/B	0.68	18.0	36.0	2.5	3.0
HSC1040-R82M-G/B	0.82	16.0	32.0	3.1	3.5
HSC1040-1R0M-G/B	1.0	14	28.0	3.4	4.0
HSC1040-1R5M-G/B	1.5	12.0	24.0	4.7	5.4
HSC1040-2R2M-G/B	2.2	10.0	20.0	7.6	9.0
HSC1040-3R3M-G/B	3.3	9.0	16.0	10.8	12.0
HSC1040-4R7M-G/B	4.7	8	15.0	15.5	18.0
HSC1040-5R6M-G/B	5.6	7.0	13.0	21.0	25.0
HSC1040-6R8M-G/B	6.8	6.0	12.0	23	27.0
HSC1040-8R2M-G/B	8.2	5.5	11.0	30.0	34.0
HSC1040-100M-G/B	10.0	5.0	10.0	34	38.0
HSC1045-150M-G/B	15.0	4.0	8.0	52	60.0
HSC1045-220M-G/B	22.0	3.0	6.0	66	75.0
HSC1045-330M-G/B	33.0	2.5	5.0	81	92.0
HSC1045-470M-G/B	47.0	2.0	4.0	134	145.0

*: you require another part number please contact with us.

** : Inductance Tolerance ± 20%

Note 1: All test data is referenced to 25°C ambient.

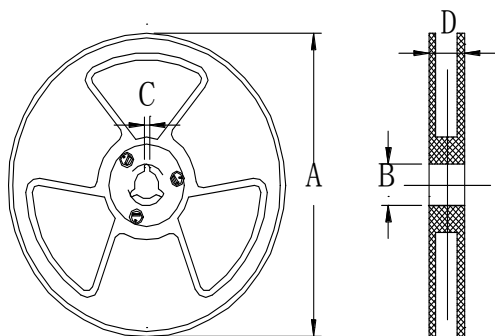
Note 2: I_{dc} : DC current (A) that will cause an approximate ΔT of 40°C

Note 3: I_{sat} : DC current (A) that will cause L_o to drop approximately 30%

SMD POWER INDUCTORS:

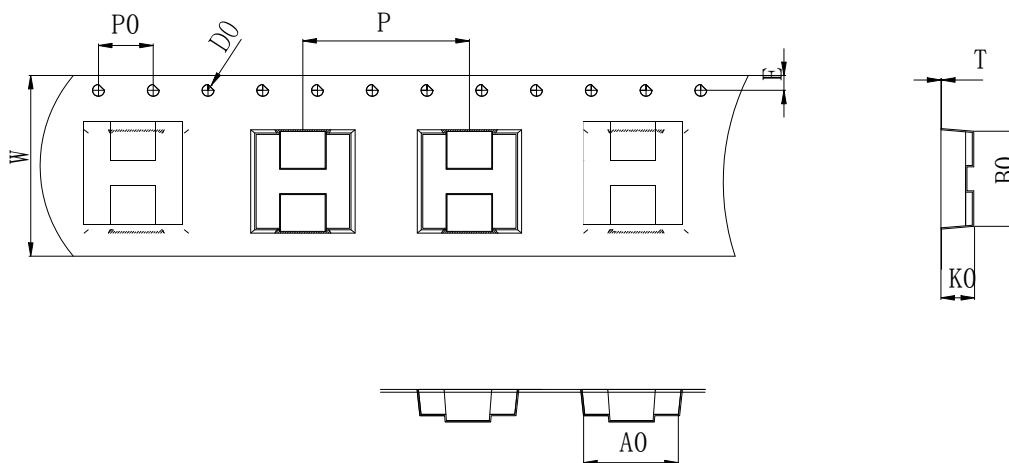
HSC-1040M Series

1. Reel Dimension



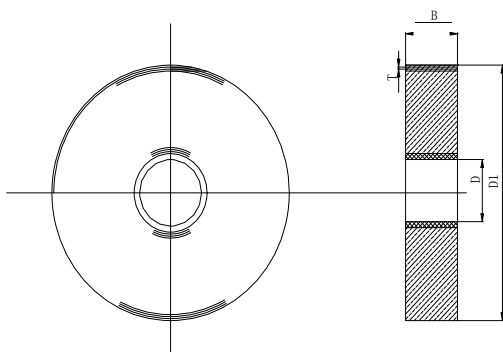
规格尺寸	13"
A	$\Phi 330 \pm 2.0$ (mm)
B	$\Phi 76.5 \pm 2.0$ mm
C	$\Phi 2.3$ mm
D	24.0 (载带 21.3 ± 0.15 mm)

2. Tape Dimension



Size	W (mm)	A0 (mm)	B0 (mm)	D0 (mm)	E (mm)	K0 (mm)	P0 (mm)	P (mm)	T (mm)
1040	24.0 ± 0.3	10.6 ± 0.1	11.6 ± 0.1	1.5 ± 0.1	1.75 ± 0.1	4.0 ± 0.1	4.0 ± 0.1	16.0 ± 0.1	0.3 ± 0.05

3. Packaing Quantity



包装单位	包装尺寸	包装数量
1 盘	330*29mm	1000pcs
1 盒/2 盘	34*6.5*34cm	2000pcs
1 箱/2 盒	35.5*28.5*36.5cm	4000pcs