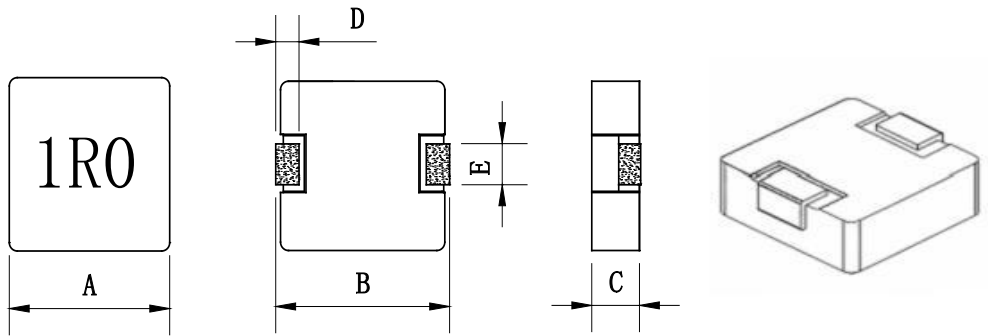


**SMD POWER INDUCTORS: HSC1260/65 Series**



Series	A (mm)	B (mm)	C (mm)	D (mm)	E (mm)
HSC1260/65	12.8 ± 0.5	13.2 ± 1.0	6.0MAX6.5MAX	2.5 ± 0.5	3.8 ± 0.2

Part Number	L0 Inductance (µH) ±20%	Heat Rating Current Irms (A)	Saturation Current Isat ( A )	DCR (m Ω )	
				TYP.	MAX.
HSC1260-4R7M-G/B	4.7	12.0	25	8.4	9.5
HSC1260-5R6M-G/B	5.6	11	20.0	9.1	10.0
HSC1260-6R8M-G/B	6.8	9.0	18.5	10.1	11.0
HSC1260-8R2M-G/B	8.2	8.5	16.5	10.6	12.0
HSC1265-100M-G/B	10.0	8.0	14.0	12.0	15.0
HSC1265-150M-G/B	15.0	7.5	13.0	29.0	34.0
HSC1265-220M-G/B	22.0	6.0	11.0	27.0	35.0
HSC1265-330M-G/B	33.0	5.0	10.0	42.0	49.0
HSC1265-470M-G/B	47.0	4.0	7.0	50.0	62.0
HSC1265-680M-G/B	68.0	3.0	5.5	95.5	115.0
HSC1265-820M-G/B	82.0	2.0	4.0	101.0	90.0
HSC1265-101M-G/B	100.0	1.5	3	110.0	125.0

\*: you require another part number please contact with us.

\*\* : Inductance Tolerance ± 20%

Note 1: All test data is referenced to 25°C ambient.

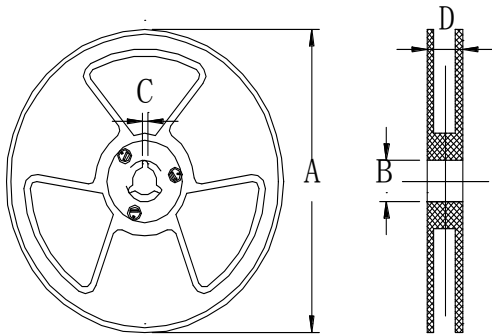
Note 2: Idc : DC current (A) that will cause an approximate ΔT of 40°C

Note 3: Isat : DC current (A) that will cause Lo to drop approximately 30%

# SMD POWER INDUCTORS:

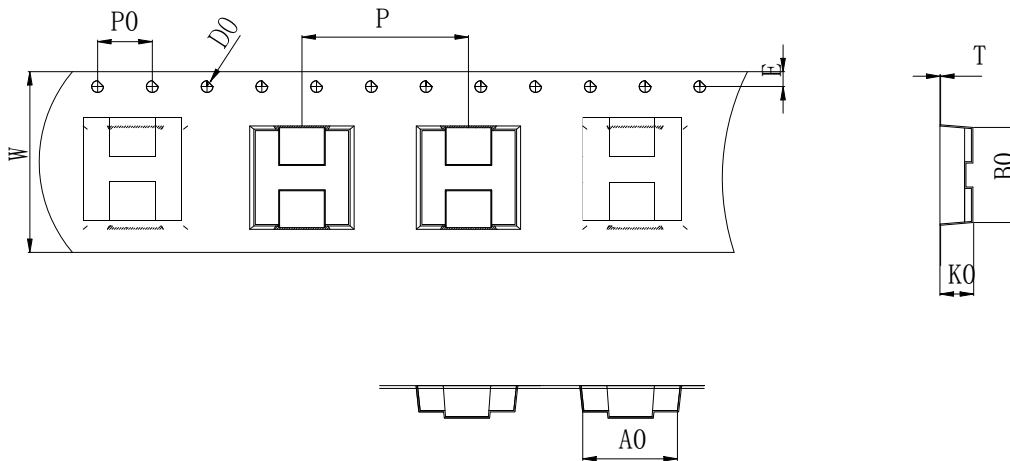
HSC-1260M Series

## 1. Reel Dimension



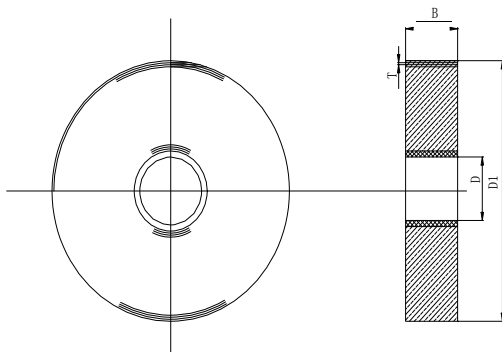
规格尺寸	13"
A	$\Phi 330 \pm 2.0$ (mm)
B	$\Phi 76.5 \pm 2.0$ mm
C	$\Phi 2.3$ mm
D	24.0 上载带 21.3 $\pm 0.15$ mm)

## 2. Tape Dimension



Size	W (mm)	A0 (mm)	B0 (mm)	D0 (mm)	E (mm)	K0 (mm)	P0 (mm)	P (mm)	T (mm)
1260	24.0 $\pm 0.3$	13.1 $\pm 0.1$	14.1 $\pm 0.1$	1.5 $\pm 0.1$	1.75 $\pm 0.1$	6.0 $\pm 0.1$	4.0 $\pm 0.1$	20.0 $\pm 0.1$	0.4 $\pm 0.05$

## 3. Packaing Quantity



包装单位	包装尺寸	包装数量
1 盘	330*29mm	500pcs
1 盒/2 盘	34*6.5*34cm	1000pcs
1 箱/2 盒	35.5*28.5*36.5cm	2000pcs